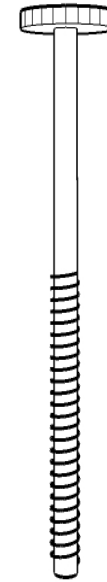
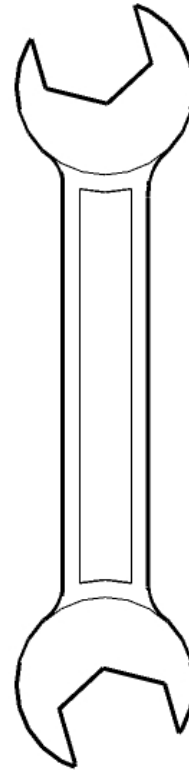
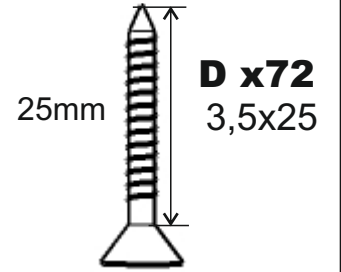
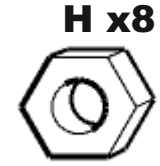
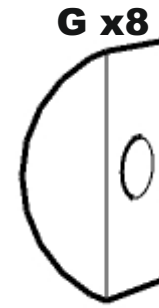
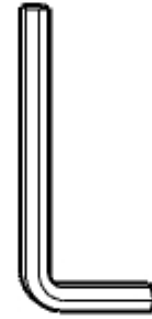
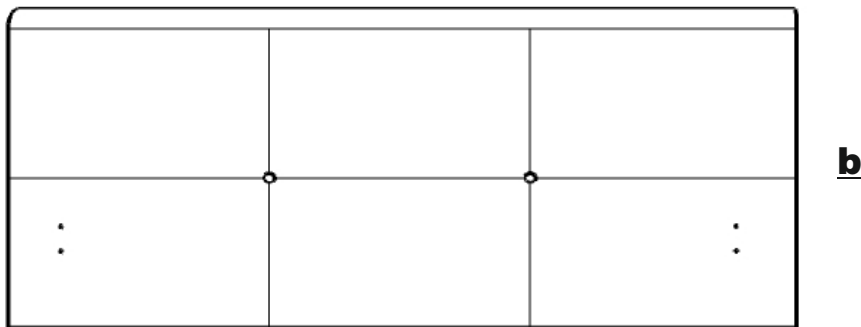
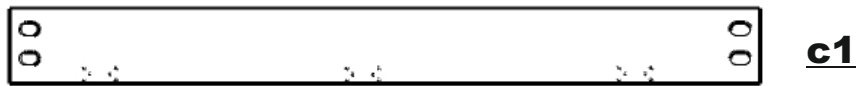
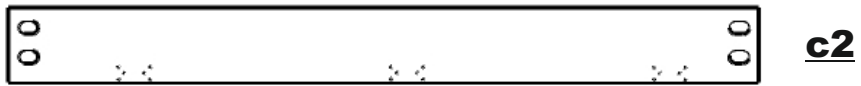
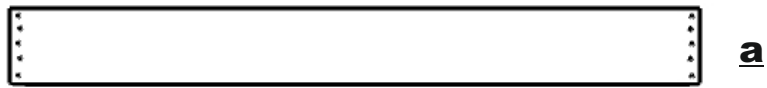
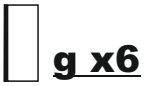
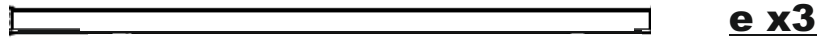
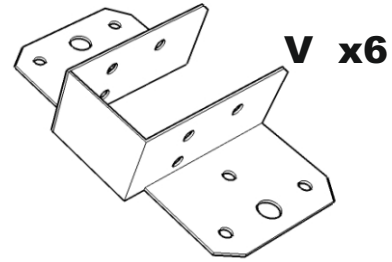
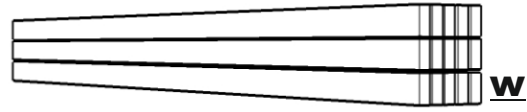


DAVIS



C x6
M6x60

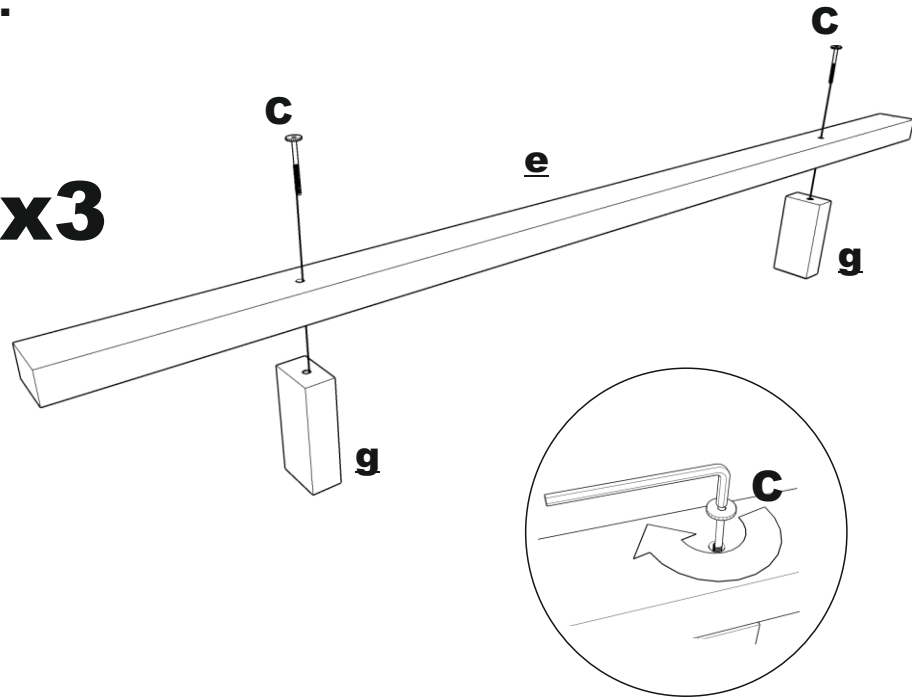
F x4
M8x80

A x6

W x4
M8x80

1.

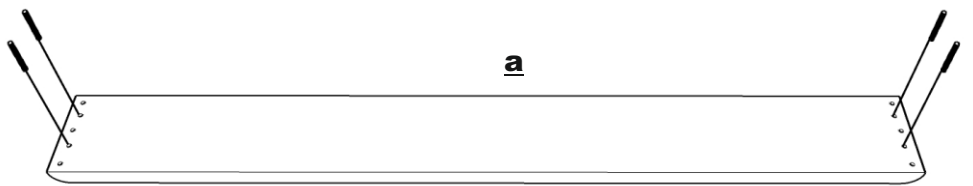
x3



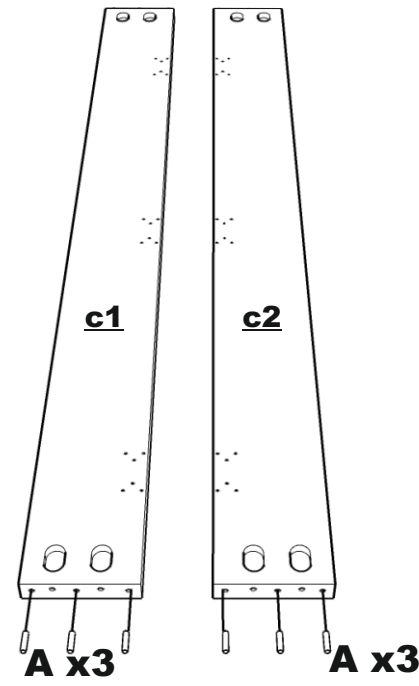
2.

F x2

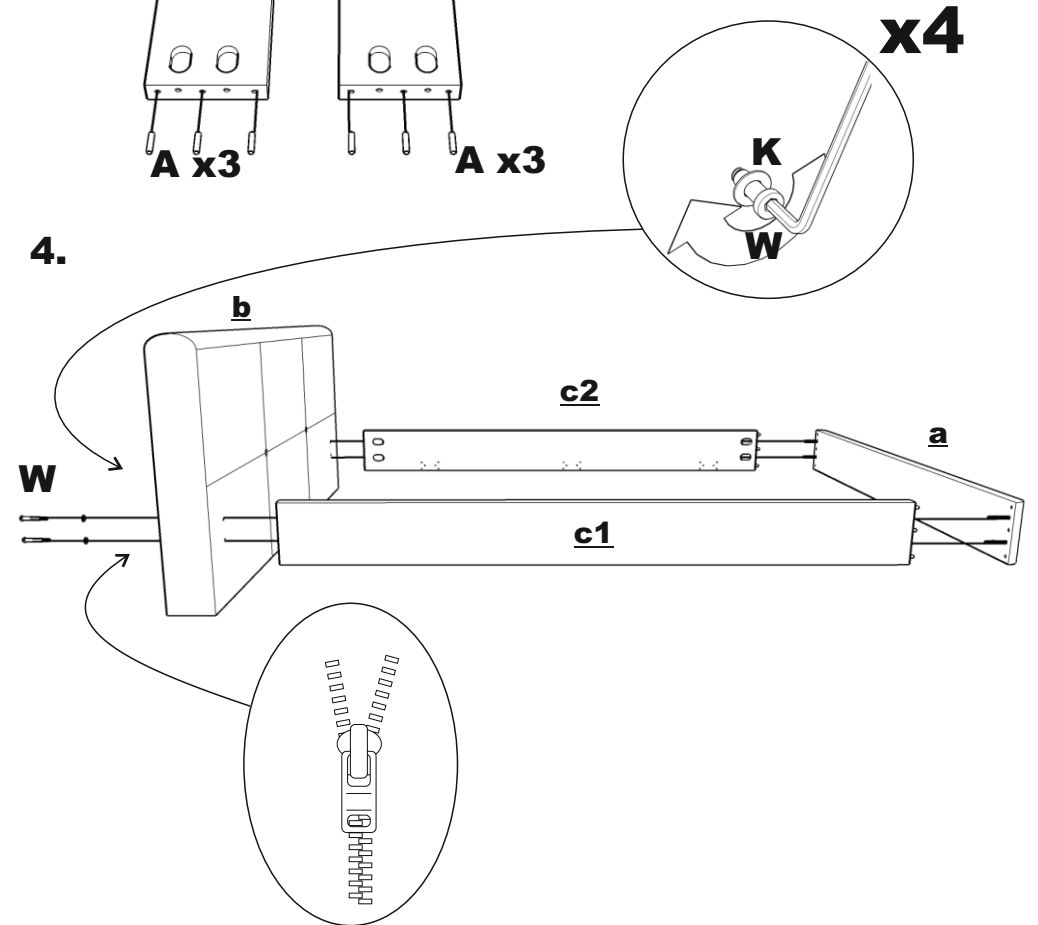
F x2



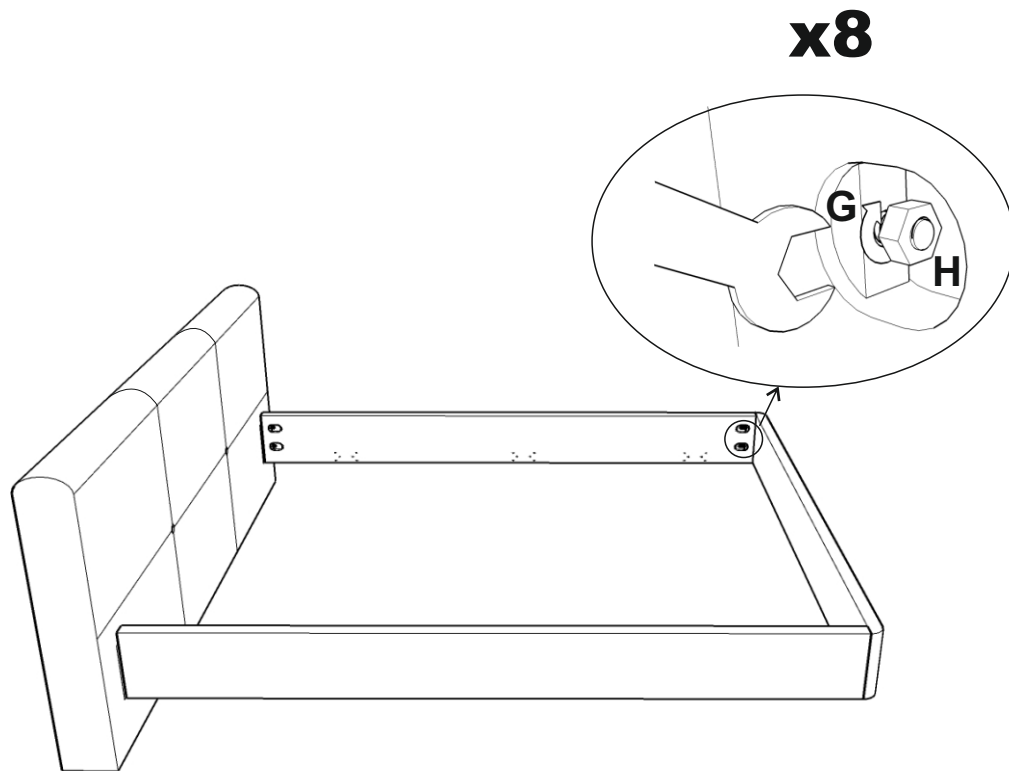
3.



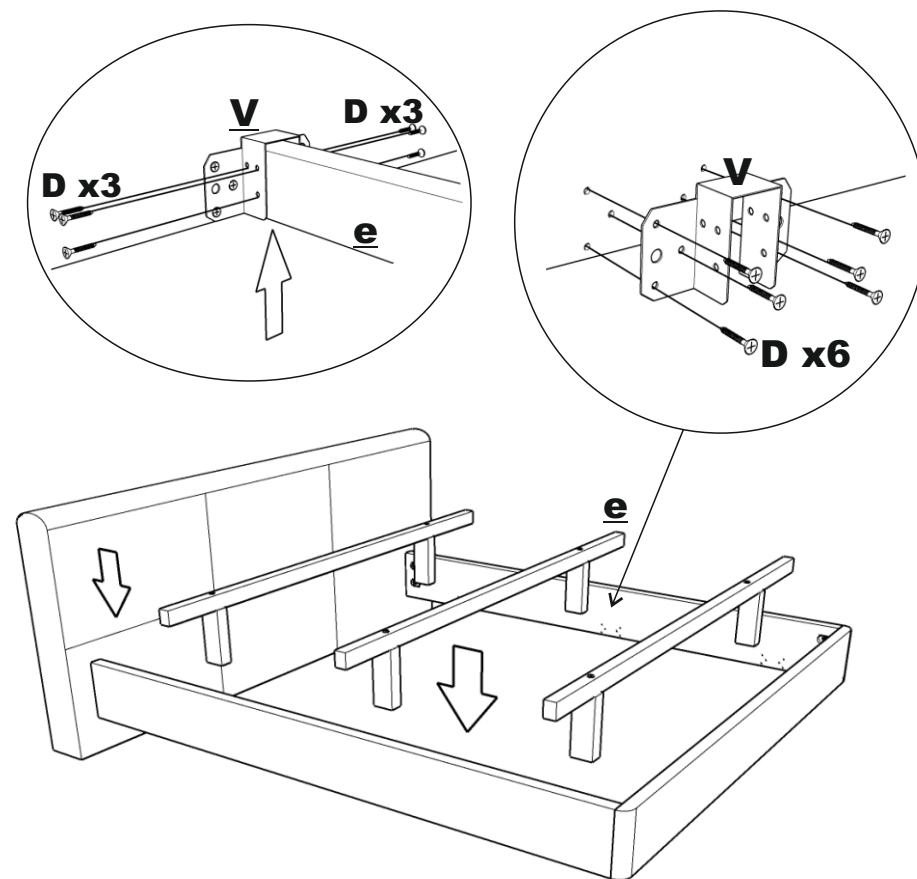
4.



5.



6.



7.

